

# Provably Safe Reinforcement Learning for Motion Planning



**Hanna Krasowski**

hanna.krasowski@tum.de

**Supervisors:** Matthias Althoff & Majid Zamani

**Collaborators:** Prithvi Akella (Caltech) & Aaron Ames (Caltech) & Niklas Kochdumper (Stony Brook) & Jakob Thumm (TUM) & Xiao Wang (TUM)



CONVEY



## Research Questions

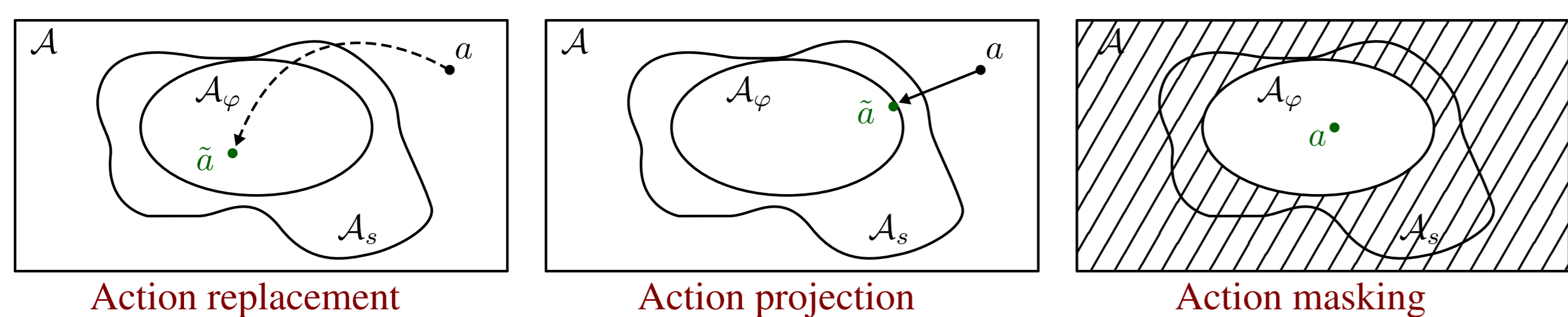
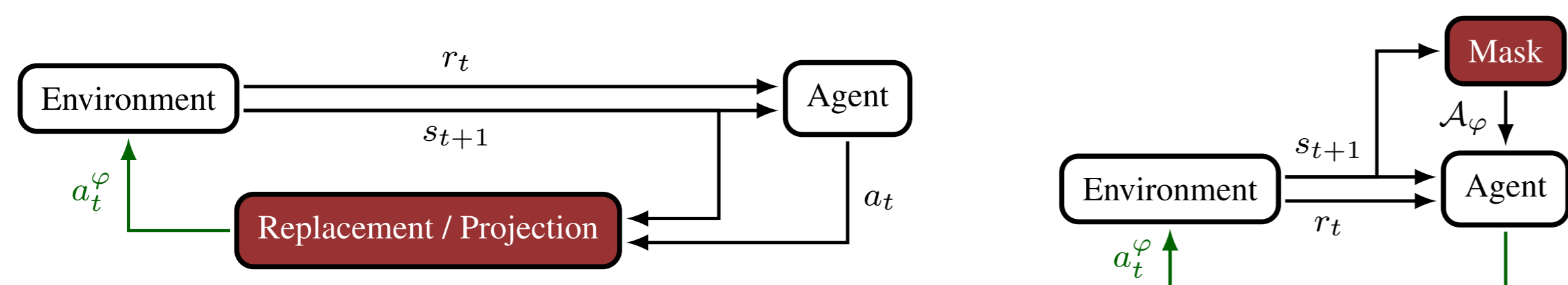
How can we extend reinforcement learning to achieve that safety specifications are always fulfilled?

How can we integrate complex safety specifications of cyber-physical systems in reinforcement learning?

## Provably Safe Reinforcement Learning

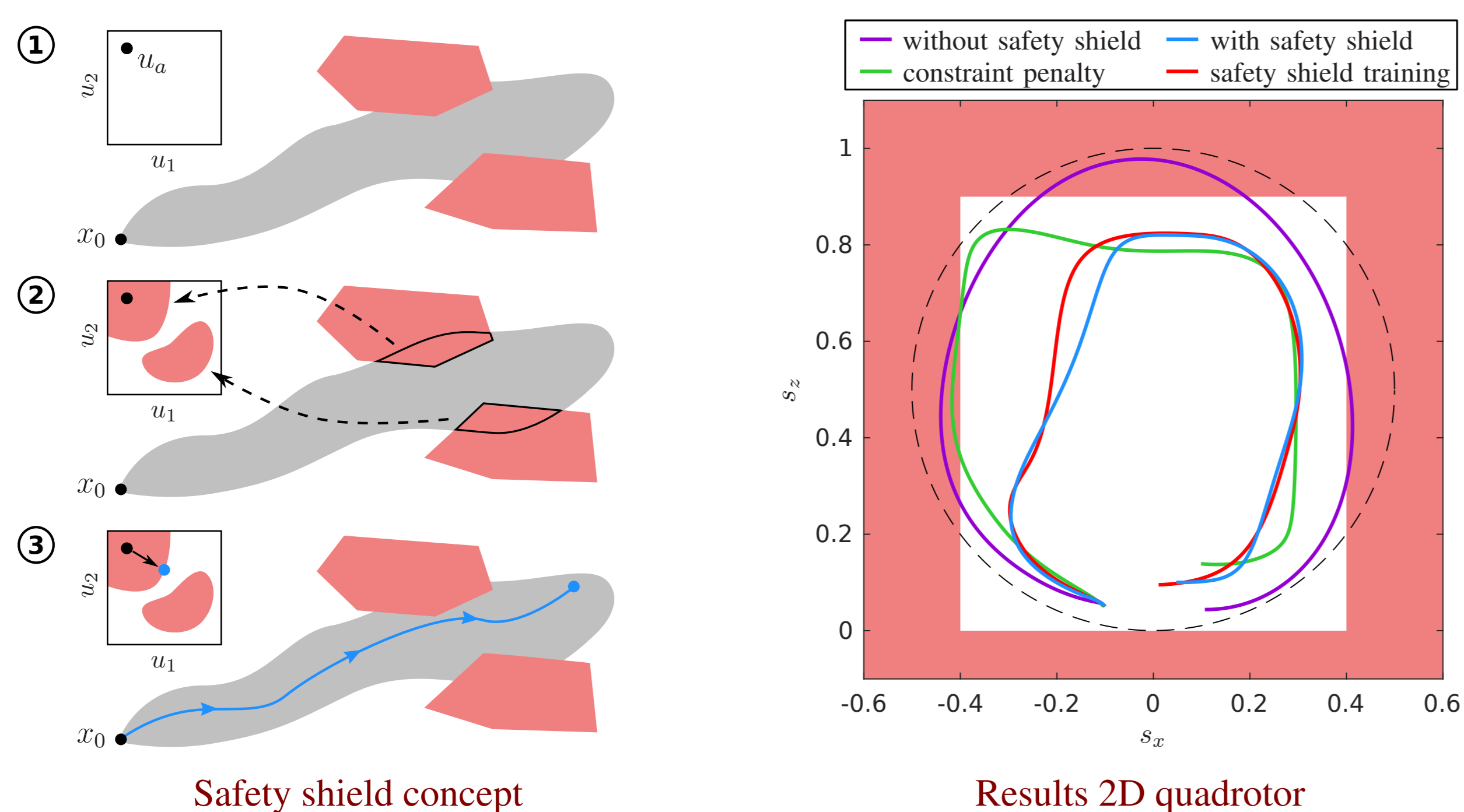
**Def.** Provably safe RL provides **guarantees** for the safety specifications during **learning and deployment**. The specifications are task-specific, and there are various ways to define them [1].

Three approaches of provably safe RL:



with the next state  $s_{t+1}$ , reward  $r_t$ , action  $a_t$ , safe action  $a_t^\varphi$ , action set  $\mathcal{A}$ , safe action set  $\mathcal{A}_S$ , provably safe action set  $\mathcal{A}_\varphi$ , and correction action  $\tilde{a}$ .

## Action Projection with Reachability Analysis



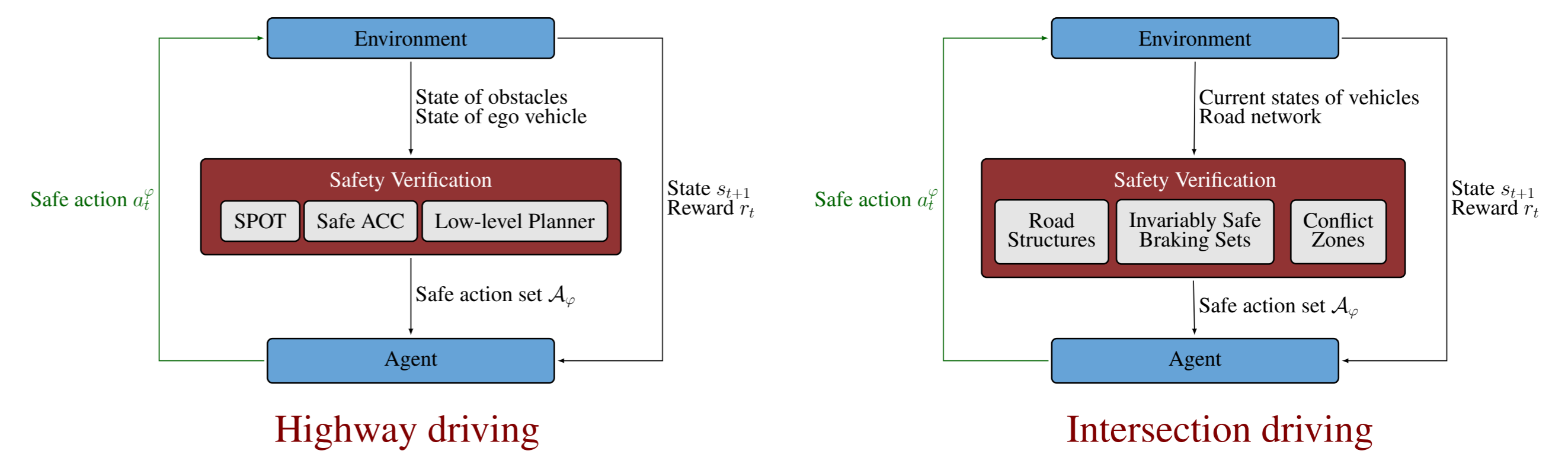
We can formulate the projection to the closest safe control input as an optimization problem [2]:

$$\min_{\alpha \in [-1, 1]} \|\alpha - \alpha_a\|_2^2 \quad \text{subject to} \quad \alpha \in \bigcap_{i=1}^c \bigcup_{l=1}^{h_i} \langle d_{il}, b_{il}, E_{il} \rangle_{LS}$$

where

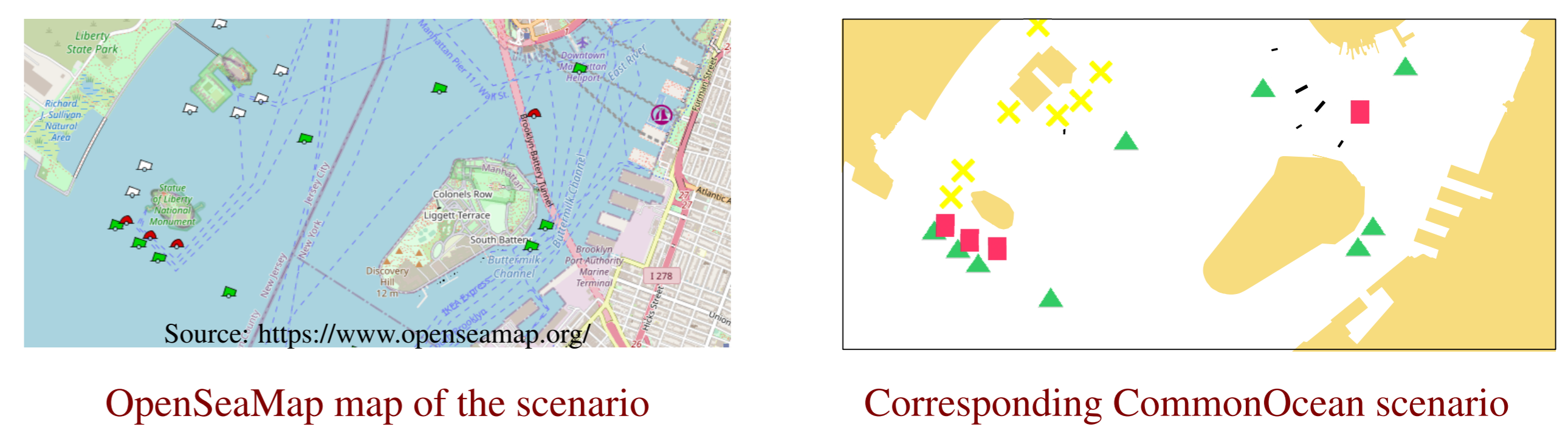
- $\alpha_a \in \mathbb{R}^p$  is a parametrization of the input  $u_a = c_u + G_u \alpha_a$  and proposed by the reinforcement learning agent,
- $\langle d_{il}, b_{il}, E_{il} \rangle_{LS}$  is the polynomial level set describing the collisions  $i$  for the halfspace constraint  $l$  of the unsafe set.

## Action Masking for Autonomous Driving



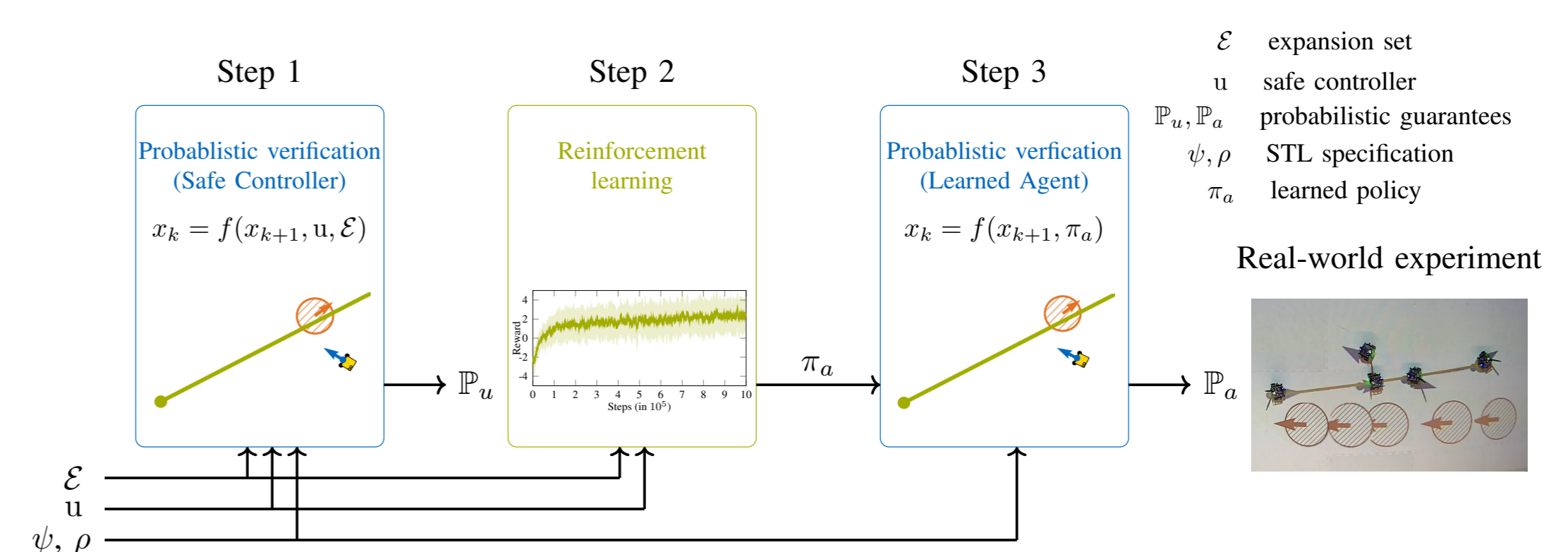
- Commonroad-RL is an open-source reinforcement learning environment for autonomous driving [3].
- For highway driving, goal reaching decreases by 10 % to 87.5% on highD dataset compared to unsafe baseline [4].
- For urban driving, adding more traffic rules is necessary to increase goal reaching (about 30 % on inD dataset) [5].

## Safe Motion Planning for Autonomous Vessels



- CommonOcean is a benchmarking suite for motion planning on the water [6].
- Formalization of traffic rules in temporal logic [7], e.g.,  $G(\text{keep}(x_{ego}, x_o, *) \implies (\text{no\_turning}(x_{ego}, *) \cup \neg \text{keep}(x_{ego}, x_o, *)))$ .

## Probabilistic Guarantees via Temporal Logic



Modularity and transferability is achieved by separating safety specifications and performance objectives [8].

## References

- [1] H. Krasowski et al. *Provably Safe Reinforcement Learning: A Theoretical and Experimental Comparison*. 2023. arXiv: 2205.06750.
- [2] N. Kochdumper et al. "Provably Safe Reinforcement Learning via Action Projection using Reachability Analysis and Polynomial Zonotopes". In: *Open Journal of Control Systems* (2023). CODE OCEAN.
- [3] X. Wang et al. "CommonRoad-RL: A Configurable Reinforcement Learning Environment for Motion Planning of Autonomous Vehicles". In: *ITSC*. 2021. [30].
- [4] H. Krasowski et al. "Safe Reinforcement Learning for Autonomous Lane Changing Using Set-Based Prediction". In: *ITSC*. 2020.
- [5] H. Krasowski et al. "Safe Reinforcement Learning for Urban Driving using Invariably Safe Braking Sets". In: *ITSC*. 2022.
- [6] H. Krasowski et al. "CommonOcean: Composable Benchmarks for Motion Planning on Oceans". In: *ITSC*. 2022. [31].
- [7] H. Krasowski et al. "Temporal Logic Formalization of Marine Traffic Rules". In: *IV*. 2021. CODE OCEAN.
- [8] H. Krasowski et al. *Probabilistic Guarantees for Safe Reinforcement Learning in Continuous Action Spaces via Temporal Logic*. 2023. arXiv: 2212.06129.